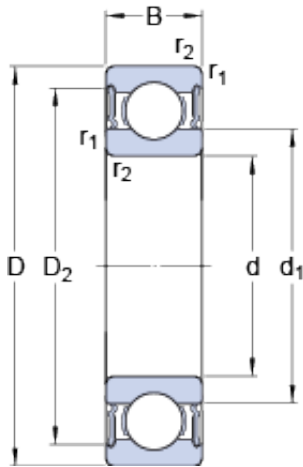




KOYO PRECISION AXLE CORP.



85 mm x 120 mm x 18 mm SKF W 61917-2RS1
deep groove ball bearings

Bearing No. W 61917-2RS1

W 61917-2RS1 Bearing 2D drawings and 3D CAD models

Size	120x85x18 mm
Bore Diameter	120 mm
Outer Diameter	85 mm
Width	18 mm
d	85 mm
D	120 mm
B	18 mm
d ₁	96.1 mm
D ₂	112.58 mm
r _{1,2} - min.	1.1 mm
D _a - max.	mm
r _a - max.	1 mm
Basic dynamic load rating - C	27.6 kN
Basic static load rating - C ₀	29 kN
Fatigue load limit - P _u	1.2 kN
Limiting speed	3200 r/min
Calculation factor - k _r	0.025
d ₁	96.1 mm
D ₂	112.58 mm
r _{1,2} min.	1.1 mm
D _a max.	0 mm
r _a max.	1 mm
Basic dynamic load rating C	27.6 kN
Basic static load rating C ₀	29 kN



KOYO PRECISION AXLE CORP.

Fatigue load limit P_u	1.25 kN
Calculation factor k_r	0.025
Calculation factor f_0	16.4