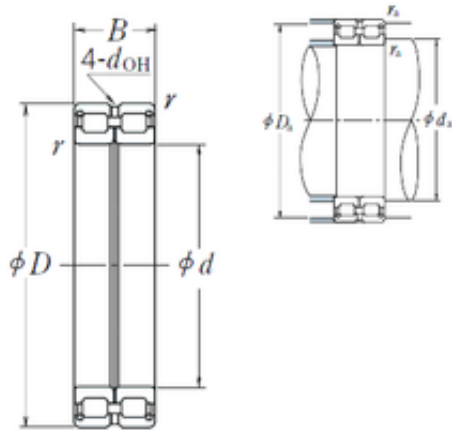




KOYO PRECISION AXLE CORP.

160 mm x 220 mm x 60 mm NSK RS-4932E4 cylindrical roller bearings



Bearing No. RS-4932E4

RS-4932E4 Bearing 2D drawings and 3D CAD models

| | |
|-------------------------------|---------------|
| Size | 160x220x60 mm |
| Bore Diameter | 160 mm |
| Outer Diameter | 220 mm |
| Width | 60 mm |
| d | 160 mm |
| D | 220 mm |
| B | 60 mm |
| C | 60 mm |
| r min. | 2 mm |
| da min. | 169 mm |
| Da max. | 211 mm |
| ra max. | 2 mm |
| Weight | 7 Kg |
| Basic dynamic load rating (C) | 410 kN |
| Basic static load rating (C0) | 930 kN |
| (Grease) Lubrication Speed | 600 r/min |
| hidYobi | RS-4932E4 |
| LangID | 1 |
| D_ | 220 |
| B_ | 60 |
| hidTable | ecat_NSCLDRS |
| Oil rpm | 600 |
| mass | 7 |
| GRS rpm | 1200 |
| ra | 2 |



KOYO PRECISION AXLE CORP.

| | |
|------------|-----------------|
| da_min | 169 |
| C0 | 930 |
| DE_ | 204.1 |
| Prod_Type3 | CRB_FRFS_OT_FIX |
| DA_ | 13 |
| Z_ | 46 |
| yobi | RS-4932E4 |
| da_max | 211 |
| SDM_ | 191.1 |
| r | 2 |
| KBRG | 4220 |
| DI_ | 178.1 |
| doh | 5 |