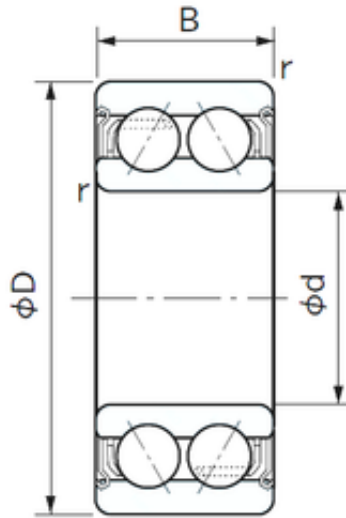




# KOYO PRECISION AXLE CORP.



17 mm x 40 mm x 17.5 mm NACHI 5203ZZ  
angular contact ball bearings

Bearing No. 5203ZZ

5203ZZ Bearing 2D drawings and 3D CAD models

Size	17x40x17.5 mm
Bore Diameter	17 mm
Outer Diameter	40 mm
Width	17.5 mm
d	17 mm
D	40 mm
B	17.5 mm
C	17.5 mm
r min.	0.6 mm
Weight	0.090 Kg
Basic dynamic load rating (C)	15 kN
Basic static load rating (C0)	9,25 kN
(Grease) Lubrication Speed	12000 r/min
Category	Angular Contact Ball Bearings
Inventory	14.0
Manufacturer Name	NACHI
Minimum Buy Quantity	N/A
Weight / Kilogram	0.091
EAN	4991893599060
Product Group	B00152
Enclosure	2 Metal Shields
Flush Ground	No
Rolling Element	Ball Bearing
Number of Rows of Balls	Double Row



## KOYO PRECISION AXLE CORP.

Precision Class	ABEC 1   ISO P0
Maximum Capacity / Filling Slot	No
Snap Ring	No
Cage Material	Steel
Contact Angle	20 Degree
Internal Clearance	C0-Medium
Number of Bearings	1 (Single)
Inch - Metric	Metric
Long Description	17MM Bore; 40MM Outside Diameter; 17.5MM Width; 2 Metal Shields; No Flush Ground; Ball Bearing; Double Row of Balls; ABEC 1   ISO P0; No Filling Slot; No Snap Ring
Category	Angular Contact Ball Bearing
UNSPSC	31171531
Harmonized Tariff Code	8482.10.50.28
Noun	Bearing
Keyword String	Angular Contact
Manufacturer URL	<a href="http://www.nachi.com">http://www.nachi.com</a>
Manufacturer Item Number	5203 ZZ BV2S
Weight / LBS	0.2
Bore	0.669 Inch   17 Millimeter
Outside Diameter	1.575 Inch   40 Millimeter
Width	0.689 Inch   17.5 Millimeter
Configuration	Double Row
Bore Type	Cylindrical Bore
Bore Size	17 mm
Fillet Radius/Chamfer	0.6 mm
Dynamic Load Rating	15,000 N
Static Load Rating	9,250 N
Limiting Speed - Oil	12,000 rpm



## KOYO PRECISION AXLE CORP.

Radial Clearance	0.003 to 0.018 mm
da	22 mm
Da	35 mm
ra	0.6 mm