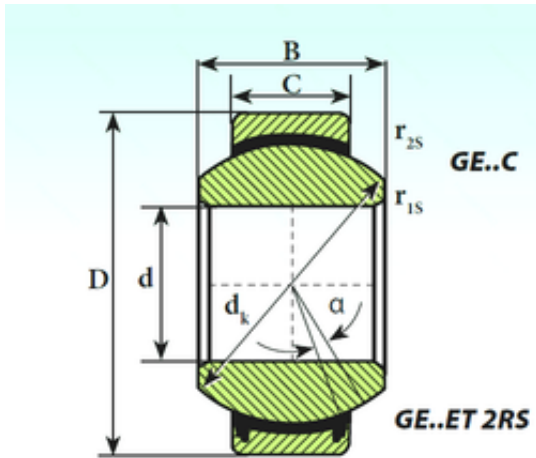




# KOYO PRECISION AXLE CORP.



25 mm x 42 mm x 20 mm ISB GE 25 C plain bearings

Bearing No. GE 25 C

Size	25x42x20 mm
Bore Diameter	25 mm
Outer Diameter	42 mm
Width	20 mm
d	25 mm
D	42 mm
B	20 mm
C	16 mm
dk	35,5 mm
r1 min.	0,6 mm
r2 min.	0,6 mm
Angle	7 °
Weight	0,119 Kg
Basic dynamic load rating (C)	51 kN

GE 25 C Bearing 2D drawings and 3D CAD models