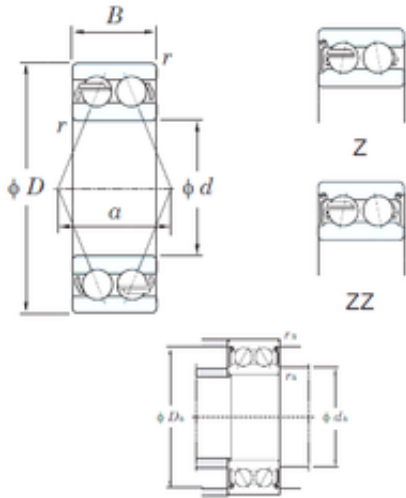




# KOYO PRECISION AXLE CORP.



45 mm x 100 mm x 39.7 mm KOYO 5309ZZ  
angular contact ball bearings

Bearing No. 5309ZZ

5309ZZ Bearing 2D drawings and 3D CAD models

|                               |                               |
|-------------------------------|-------------------------------|
| Size                          | 45x100x39.7 mm                |
| Bore Diameter                 | 45 mm                         |
| Outer Diameter                | 100 mm                        |
| Width                         | 39.7 mm                       |
| d                             | 45 mm                         |
| D                             | 100 mm                        |
| B                             | 39.7 mm                       |
| C                             | 39.7 mm                       |
| a                             | 51.0 mm                       |
| r min.                        | 1.5 mm                        |
| da min.                       | 53.5 mm                       |
| da max                        | 58.2 mm                       |
| Da max.                       | 91.5 mm                       |
| ra max.                       | 1.5 mm                        |
| Weight                        | 1.42 Kg                       |
| Basic dynamic load rating (C) | 68.9 kN                       |
| Basic static load rating (C0) | 51.4 kN                       |
| Category                      | Angular Contact Ball Bearings |
| Inventory                     | 0.0                           |
| Manufacturer Name             | KOYO                          |
| Minimum Buy Quantity          | N/A                           |
| Weight / Kilogram             | 1.472                         |
| EAN                           | 0605790370335                 |
| Product Group                 | B00152                        |
|                               |                               |



## KOYO PRECISION AXLE CORP.

|                                 |  |
|---------------------------------|--|
| Enclosure                       | 2 Metal Shields  |
| Flush Ground                    | No   |
| Rolling Element                 | Ball Bearing   |
| Number of Rows of Balls         | Double Row   |
| Precision Class                 | ABEC 1   ISO P0  |
| Maximum Capacity / Filling Slot | No   |
| Snap Ring                       | No   |
| Cage Material                   | Steel  |
| Contact Angle                   | 24 Degree  |
| Internal Clearance              | C0-Medium  |
| Number of Bearings              | 1 (Single)   |
| Inch - Metric                   | Metric   |
| Long Description                | 45MM Bore; 100MM Outside Diameter; 39.69MM Width; 2 Metal Shields; No Flush Ground; Ball Bearing; Double Row of Balls; ABEC 1   ISO P0; No Filling Slot; No Snap Ring; C0-Medium; Steel Cage; 24 Degree; |
| Category                        | Angular Contact Ball Bearing   |
| UNSPSC                          | 31171531   |
| Harmonized Tariff Code          | 8482.10.50.28  |
| Noun                            | Bearing  |
| Keyword String                  | Angular Contact  |
| Manufacturer URL                | <a href="http://www.koyousa.com">http://www.koyousa.com</a>  |
| Bore                            | 1.772 Inch   45 Millimeter   |
| Outside Diameter                | 3.937 Inch   100 Millimeter  |
| Width                           | 1.563 Inch   39.69 Millimeter  |