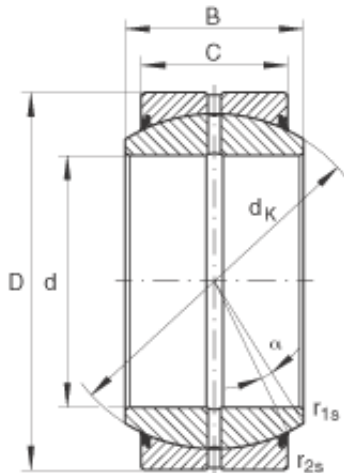




# KOYO PRECISION AXLE CORP.



GE50-DO-2RS Bearing 2D drawings and 3D CAD models

## INA GE50-DO-2RS plain bearings

Bearing No. GE50-DO-2RS

Size	50x75x35 mm
Bore Diameter	50 mm
Outer Diameter	75 mm
Width	35 mm
C	28 mm
$D_{a \min}$	63 mm
$d_{a \max}$	55,9 mm
$d_K$	66 mm
$r_{1s \min}$	0,6 mm
$r_{2s \min}$	1 mm
alf ( ° )	6
Weight (kg)	0,53
$C_r$ (N)	157000
$C_{0r}$ (N)	785000
Category	Spherical Plain Bearings - Radial
Inventory	0.0
Manufacturer Name	SCHAEFFLER GROUP
Minimum Buy Quantity	N/A
Weight / Kilogram	0
Product Group	B04264
Component	Complete with Outer and Inner Ring
Self Aligning	Yes
Rolling Element	Spherical Plain Bearing
Material - Outer Member	Steel



## KOYO PRECISION AXLE CORP.

Material - Ball	Steel
Material - Liner	Not Applicable
Relubricatable	Yes
Enclosure	2 Seals
Other Features	2 Piece   Axially Split Outer Ring
Long Description	50MM Bore; 28MM Housing Width; 75MM Outside Diameter; Complete with Outer and Inner Ring; Self Aligning; Spherical Plain Bearing; Steel Outer Member; Steel Ball; 2 Seals; 35MM Overall Width; Relubrica
Inch - Metric	Metric
Category	Plain Bearings Spherical Radial
UNSPSC	31171515
Harmonized Tariff Code	8483.30.80.70
Noun	Bearing
Keyword 3	Spherical
Keyword String	Plain Radial Spherical
Manufacturer URL	<a href="http://www.ina.com">http://www.ina.com</a>
Manufacturer Item Number	GE50DO2RS
Weight / LBS	1.191
Outside Diameter	2.953 Inch   75 Millimeter
Housing Width	1.102 Inch   28 Millimeter
Bore	1.969 Inch   50 Millimeter
Overall Width	1.378 Inch   35 Millimeter