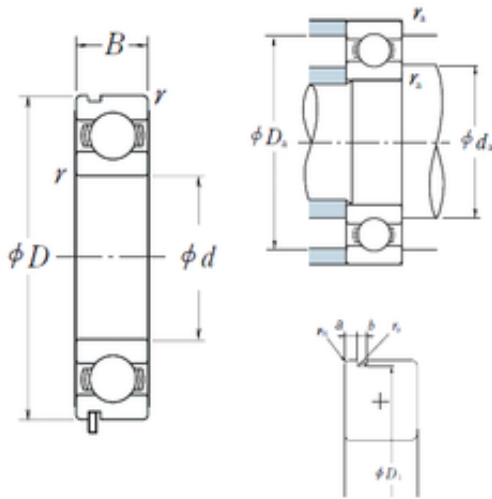




KOYO PRECISION AXLE CORP.



60 mm x 78 mm x 10 mm NSK 6812N deep groove ball bearings

Bearing No. 6812N

6812N Bearing 2D drawings and 3D CAD models

Size	60x78x10 mm
Bore Diameter	60 mm
Outer Diameter	78 mm
Width	10 mm
d	60 mm
D	78 mm
B	10 mm
C	10 mm
rn	0,3 mm
a	1,7 mm
b	1,3 mm
r min.	0,3 mm
r0 max.	0,4 mm
D1	76,2 mm
da min.	62 mm
da max	64 mm
Da max.	76 mm
ra max.	0,3 mm
Weight	0,103 Kg
Basic dynamic load rating (C)	11,5 kN
Basic static load rating (C0)	10,9 kN
(Grease) Lubrication Speed	8 000 r/min
(Oil) Lubrication Speed	9 500 r/min
SRI	2.88
hidYobi	6812N



KOYO PRECISION AXLE CORP.

LangID	1
ro	0.4
D_	78
SREX	0.015
B_	10
da min	62
hidTable	ecat_NSRDGB
Oil rpm	9500
SRE	2.88
mass	0.103
GRS rpm	8000
ra	0.3
SRIX	0.015
D_a	76
SRIN	-0.015
C0	10.9
fo	16.9
SREN	-0.015
DE_	74.556
Prod_Type3	DGBB_SR_N_OT
DA_	5.556
bomp	0
Z_	21
yobi	6812N
C_conv	11500
ALPHA_	0
SDM_	69
r	0.3
KBRG	6101
SBRG	18
DI_	63.444