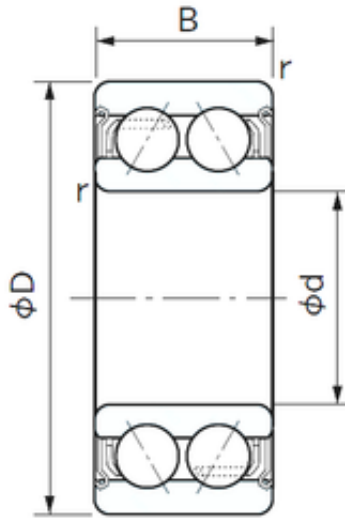




KOYO PRECISION AXLE CORP.



70 mm x 125 mm x 39.7 mm NACHI 5214ZZ
angular contact ball bearings

Bearing No. 5214ZZ

5214ZZ Bearing 2D drawings and 3D CAD models

Size	70x125x39.7 mm
Bore Diameter	70 mm
Outer Diameter	125 mm
Width	39.7 mm
d	70 mm
D	125 mm
B	39.7 mm
C	39.7 mm
r min.	1.5 mm
Weight	1.82 Kg
Basic dynamic load rating (C)	86 kN
Basic static load rating (C0)	79 kN
Category	Angular Contact Ball Bearings
Inventory	0.0
Manufacturer Name	NACHI
Minimum Buy Quantity	N/A
Weight / Kilogram	1.821
EAN	4991893603392
Product Group	B00152
Enclosure	2 Metal Shields
Flush Ground	No
Rolling Element	Ball Bearing
Number of Rows of Balls	Double Row
Precision Class	ABEC 1 ISO P0



KOYO PRECISION AXLE CORP.

Maximum Capacity / Filling Slot	No
Snap Ring	No
Cage Material	Steel
Contact Angle	20 Degree
Internal Clearance	C0-Medium
Number of Bearings	1 (Single)
Inch - Metric	Metric
Long Description	70MM Bore; 125MM Outside Diameter; 39.7MM Width; 2 Metal Shields; No Flush Ground; Ball Bearing; Double Row of Balls; ABEC 1 ISO P0; No Filling Slot; No Snap Ring
Category	Angular Contact Ball Bearing
UNSPSC	31171531
Harmonized Tariff Code	8482.10.50.28
Noun	Bearing
Keyword String	Angular Contact
Manufacturer URL	http://www.nachi.com
Manufacturer Item Number	5214 ZZ BV2S
Weight / LBS	4.01
Width	1.563 Inch 39.7 Millimeter
Outside Diameter	4.921 Inch 125 Millimeter
Bore	2.756 Inch 70 Millimeter
Configuration	Double Row
Bore Type	Cylindrical Bore
Bore Size	70 mm
Fillet Radius/Chamfer	1.5 mm
Dynamic Load Rating	86,000 N
Static Load Rating	79,000 N
Limiting Speed - Oil	3,800 rpm
Radial Clearance	0.010 to 0.030 mm



KOYO PRECISION AXLE CORP.

da	79 mm
Da	116 mm
ra	1.5 mm