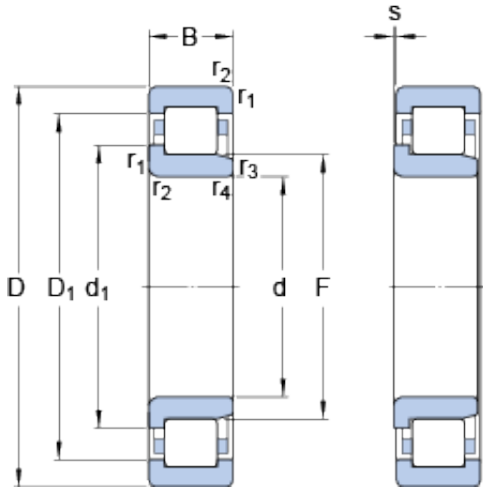




KOYO PRECISION AXLE CORP.



45 mm x 85 mm x 19 mm SKF NJ 209 ECML thrust ball bearings

Bearing No. NJ 209 ECML

NJ 209 ECML Bearing 2D drawings and 3D CAD models

| | |
|---|-------------|
| Size | 85x45x19 mm |
| Bore Diameter | 85 mm |
| Outer Diameter | 45 mm |
| Width | 19 mm |
| d | 45 mm |
| D | 85 mm |
| B | 19 mm |
| d ₁ | 59 mm |
| D ₁ | 72.95 mm |
| F | 54.5 mm |
| r _{1,2} - min. | 1.1 mm |
| r _{3,4} - min. | 1.1 mm |
| s | 1.2 mm |
| d _a - min. | 52 mm |
| d _a - max. | 53 mm |
| d _b - min. | 61 mm |
| D _a - max. | 77.6 mm |
| r _a - max. | 1 mm |
| Basic dynamic load rating - C | 69.5 kN |
| Basic static load rating - C ₀ | 64 kN |
| Fatigue load limit - P _u | 8.2 kN |
| Reference speed | 9000 r/min |
| Limiting speed | 15000 r/min |
| Calculation factor - k _r | 0.23 |



KOYO PRECISION AXLE CORP.

| | |
|--------------------------------|----------|
| d_1 | 59 mm |
| D_1 | 72.95 mm |
| $r_{1,2}$ min. | 1.1 mm |
| $r_{3,4}$ min. | 1.1 mm |
| s max. | 1.2 mm |
| d_a min. | 52 mm |
| d_a max. | 53 mm |
| d_b min. | 61 mm |
| D_a max. | 77.6 mm |
| r_a max. | 1 mm |
| Basic dynamic load rating C | 69.5 kN |
| Basic static load rating C_0 | 64 kN |
| Fatigue load limit P_u | 8.15 kN |
| Calculation factor k_r | 0.23 |
| Limiting value e | 0.2 |
| Axial load factor Y | 0.6 |
| Mass bearing | 0.49 kg |